

QZG12aQ ANTENNA

Dual Band Multi GNSS Antenna

- ▽Dimensions : $\phi 93.5\text{mm} \times 42.0\text{mm}$
- ▽Signal : GPS/QZSS(L1,L2),GLONASS(G1,G2),Galileo(E1,E5b),
BeiDou(B1,B2I),SBAS(L1)
- ▽Axial Ratio : $\leq 1.2\text{dB}(L1,G1,E1,B1)$
- ▽Waterproofing : IP67
- ▽Connector : Waterproof Connector
(SMA-Female Compatible)
- ▽Mounting : 1/4-20 UNC-2B



QZ Series

Model	GNSS Signal												
	GPS/QZSS			QZSS	GLONASS		Galileo			BeiDou			SBAS
	L1	L2	L5	L6	G1	G2	E1	E5a	E5b	B1	B2I	B3	L1
QZG1a	○				○		○			○			○
QZG12a	○	○			○		○			○			○
QZG12aQ	○	○			○	○	○		○	○			○
QZG126c	○	○		○	○	○	○			○		○	○
QZG15c	○		○		○		○	○		○			○
QZG1e	○				○		○			○			○



KOMINE MUSEN DENKI Co.,Ltd

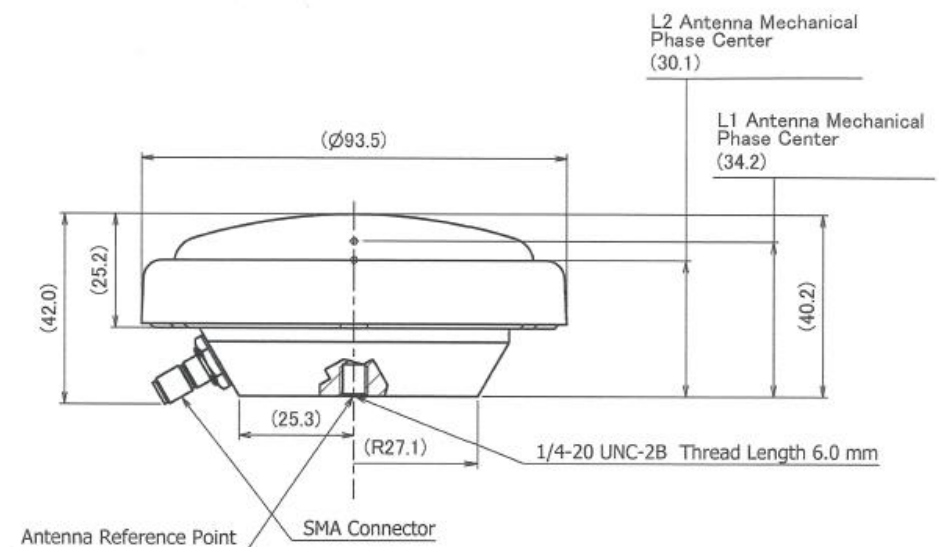
QZG12aQ ANTENNA

Signal		
Band	GPS	L1,L2
	QZSS	L1,L2
	GLONASS	G1,G2
	Galileo	E1,E5b
	BeiDou	B1,B2I
	SBAS	L1

Electrical		
Antenna Gain (Zenith)	L1,G1,E1,B1	≤ 4.0 dBic
	L2,G2,E5b,B2I	≤ 2.5 dBic
Axial Ratio	L1,G1,E1,B1	≤ 1.2 dB
	L2,G2,E5b,B2I	≤ 2.0 dB
LNA Gain		≤ 35 dB
Bandwidth		1590 \pm 30MHz typical
		1238 \pm 40MHz typical
Out of Band Rejection		1590 \pm 100MHz ≥ 50 dB
		1238 \pm 120MHz ≥ 50 dB
Noise Figure		≤ 2.0 dB
Voltage		+3.0~+12.0VDC
Current		≤ 35 mA
VSWR		≤ 2.0

Mechanical	
Dimensions	$\phi 93.5$ mm \times 42.0mm
Connector	QSMA Female (SMA Compatible)
Weight	≤ 250 g
Mounting	1/4-20 UNC-2B

ENVIRONMENTAL	
Operation Temperature	-40~+85°C
Vibration	3 axis、sweep=15min 10 to 200Hz sweep:3G
Shock	Vertical axis:50G、other axes:30G
Waterproofing	JIS C 0920 IP67
Salt Fog	MIL-STD-810F Section 509.4



KOMINE MUSEN DENKI CO.,LTD.

251 KUJI, Takatsu-ku

KAWASAKI-SHI, KANAGAWA-KEN JAPAN 213-0032

PHONE: +81-4-4844-5522

FAX : 044-822-7224

URL : <http://www.kominemusdenki.co.jp>

E-Mail 1: info@kominemusdenki.co.jp



KOMINE MUSEN DENKI Co.,Ltd